

SEWER BEDDING DETAILS

TRENCH WIDTHS-RIGID PIPES

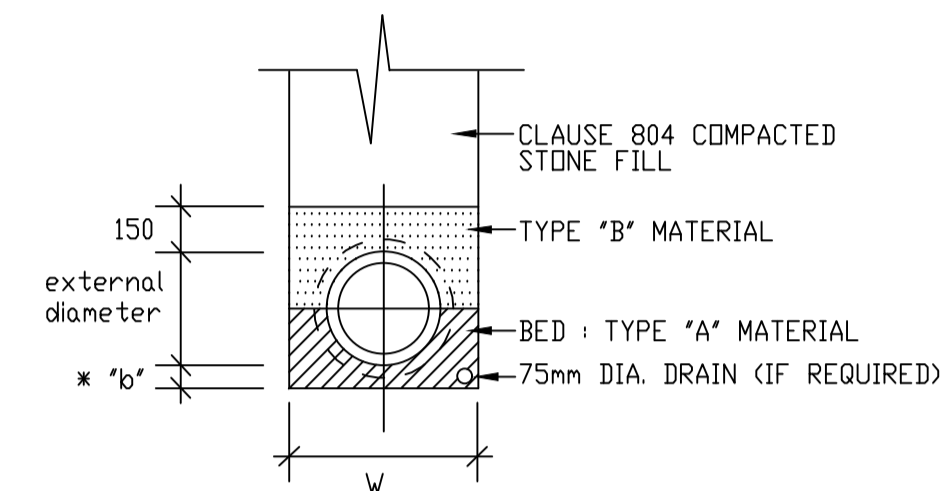
NOMINAL PIPE DIAMETER (mm)	100	150	225	300	375	450	525	600	750	900	1050	1200	1200
TRENCH WIDTH MIN (mm)	450	500	600	700	950	1050	1150	1250	1400	1950	2100	2300	2450
TRENCH WIDTH MAX (mm)	650	700	800	900	1150	1250	1350	1450	1600	2150	2300	2500	2650

TRENCH WIDTHS-FLEXIBLE PIPES

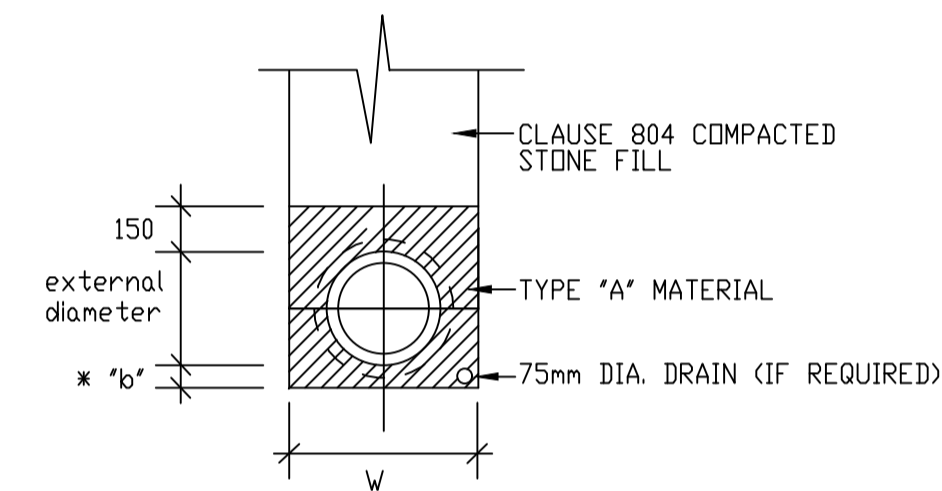
NOMINAL PIPE DIAMETER (mm)	100	150	200	250	300
TRENCH WIDTH MIN (mm)	450	450	600	600	700
TRENCH WIDTH MAX (mm)	600	600	700	700	850

DIMENSION-bc

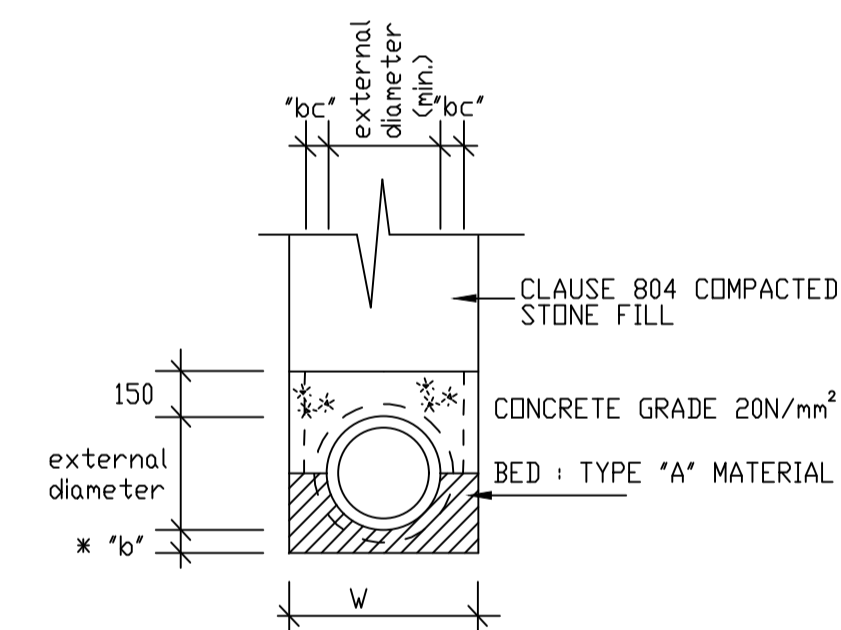
NOMINAL PIPE DIAMETER (mm)	100-450 incl.	525-600 incl.	750	900	1050	1200
bc (mm)	100	150	200	225	250	300



GRANULAR BEDDING CLASS B : (fm = 1.9)



GRANULAR BEDDING AND SURROUND CLASS S : (fm = 2.2)



CONCRETE ARCH CLASS A1 : (fm = 2.6)

*** UNIFORM SOIL**
 'bc' = 150mm FOR PIPES UP TO AND INCLUDING 600mm DIA.
 'bc' = 200mm FOR PIPES GREATER THAN 600mm DIA.

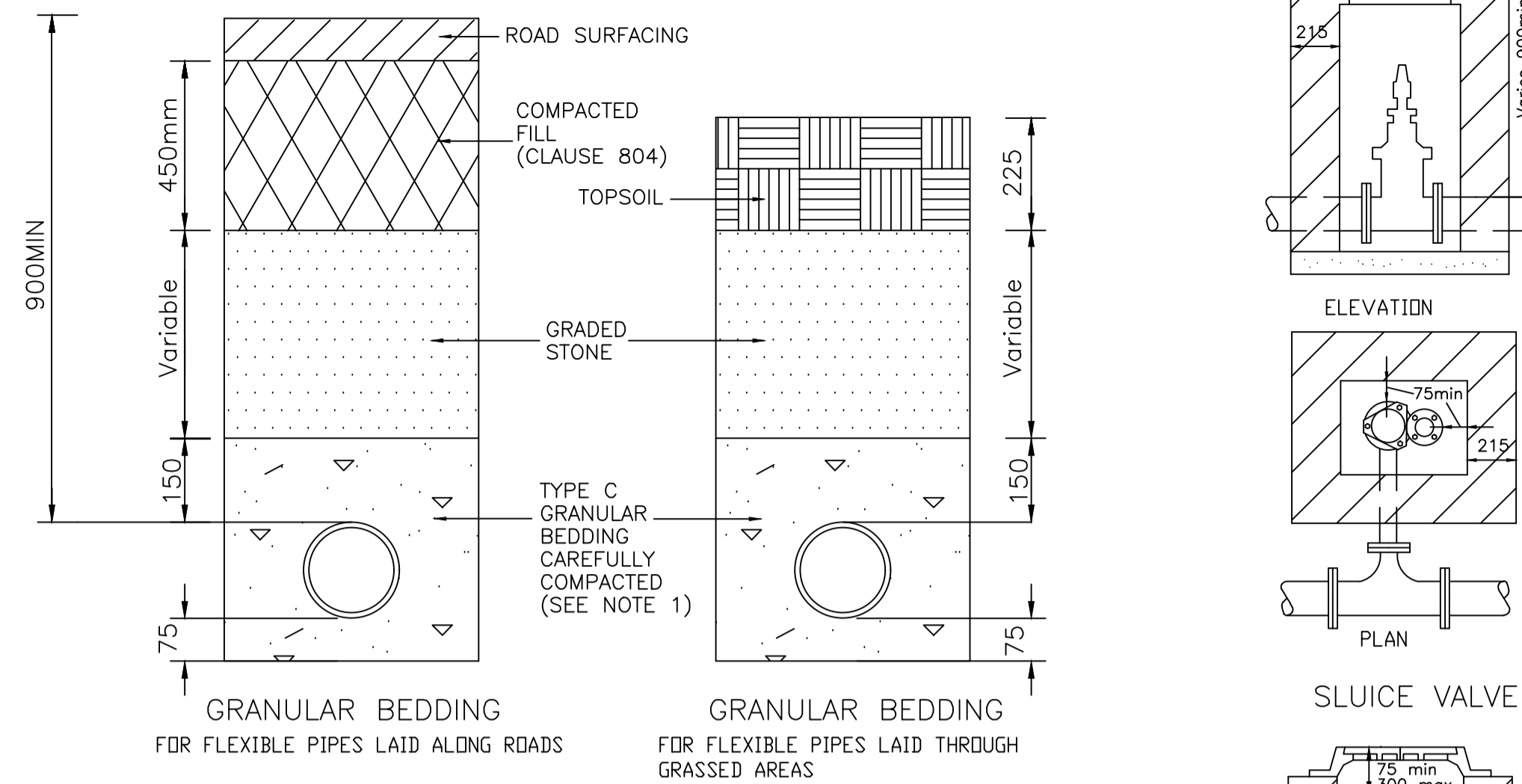
*** ROCK**
 'bc' = 200mm FOR PIPES UP TO AND INCLUDING 600mm DIA.
 'bc' = 300mm FOR PIPES GREATER THAN 600mm DIA.

TYPE 'A' MATERIAL :
 BROKEN STONE OR GRAVEL, GRADING AS FOLLOWS:-
 1) RIGID PIPES - PIPE DIAMETER UP TO AND INCLUDING 600mm
 - SIEVE SIZE GREATER THAN 5mm AND LESS THAN 12mm
 - PIPE DIAMETER GREATER THAN 600mm DIA
 - SIEVE SIZE GREATER THAN 5mm AND LESS THAN 19mm
 2) FLEXIBLE PIPES : SIEVE SIZE GREATER THAN 5mm AND LESS THAN 10mm

TYPE 'B' MATERIAL :
 SELECTED FILL UNIFORM READILY COMPACTABLE MATERIAL FREE FROM :
 CLAY LUMPS RETAINED ON 75mm SIEVE, STONES RETAINED ON 25mm SIEVE,
 TREE ROOTS, VEGETABLE MATTER,
 BUILDING RUBBISH AND FROZEN SOIL.

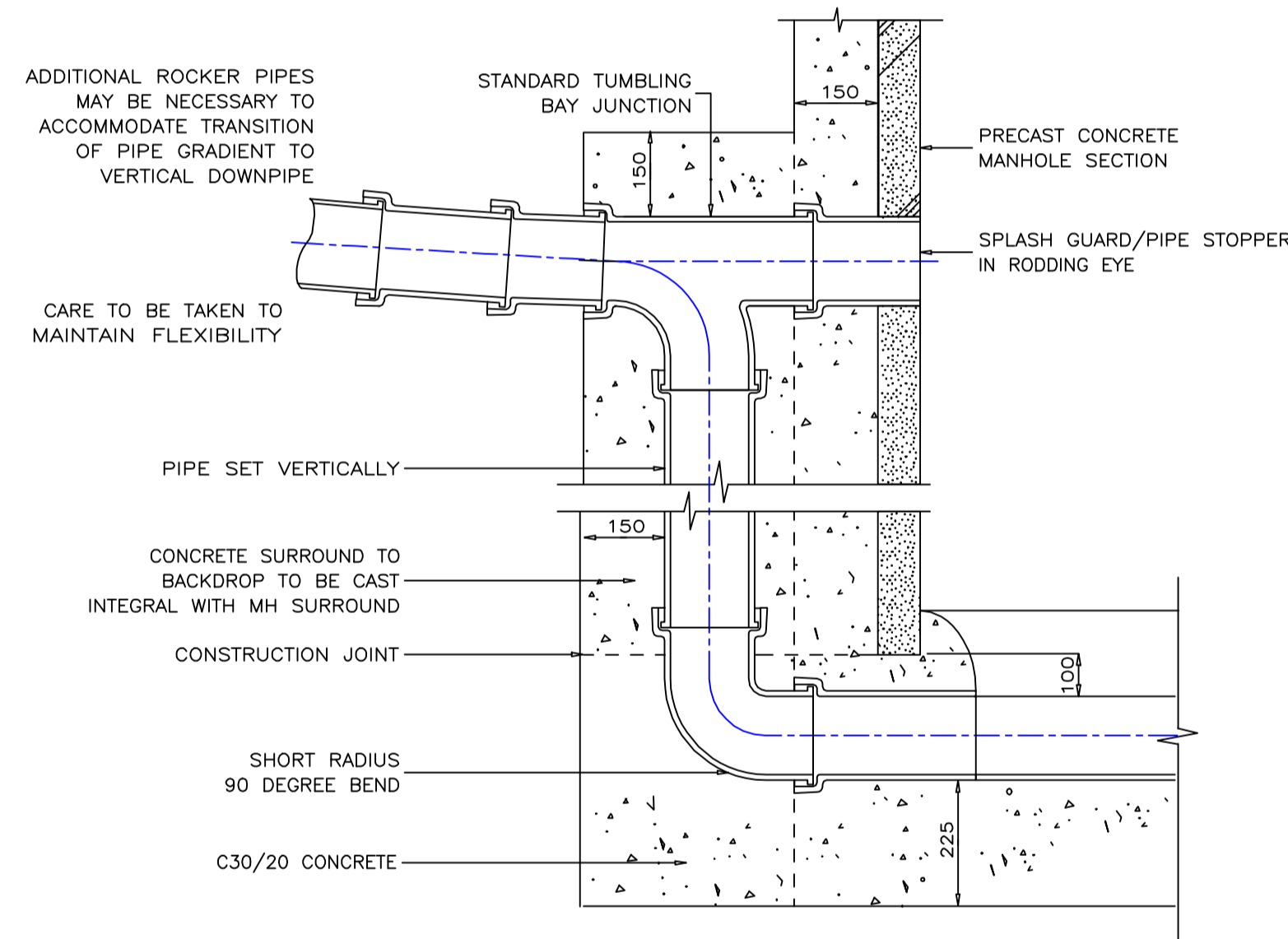
GENERAL NOTES:-
 THIS DRAWING AND ANY DESIGN HEREON IS THE COPYRIGHT OF BDB CONSULTING LTD. AND MUST NOT BE REPRODUCED WITHOUT THEIR WRITTEN CONSENT. FIGURED DIMENSIONS ONLY TO BE TAKEN FROM THIS DRAWING. ALL DIMENSIONS TO BE CHECKED ON SITE.
 BDB CONSULTING LTD. TO BE INFORMED IMMEDIATELY OF ANY DISCREPANCIES BEFORE WORK THIS DRAWING IS FOR PLANNING PURPOSES ONLY.

WATERMANS BEDDING AND VALVE/HYDRANT HOUSING



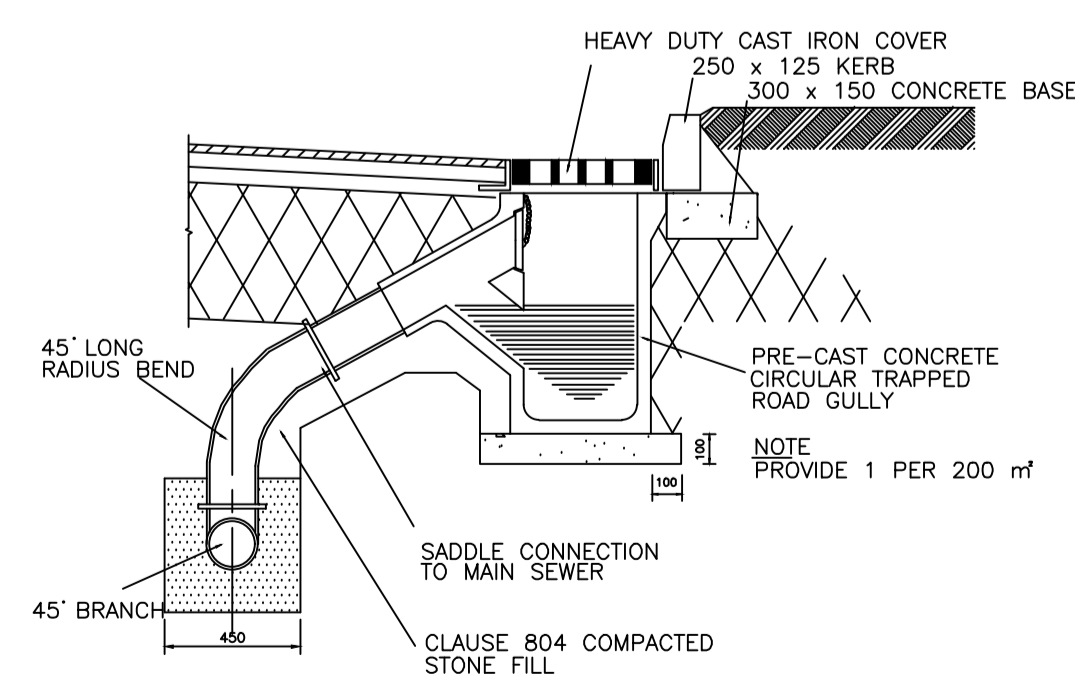
- NOTES:**
 1. GRANULAR BEDDING TYPE C : shall consist of gravel graded from 9.5mm to 4.75mm, other granular materials may be used subject to approval
 3. All pipes passing under foundations and floors shall be haunched.

TYPICAL VERTICAL BACKDROP DETAIL N.T.S.

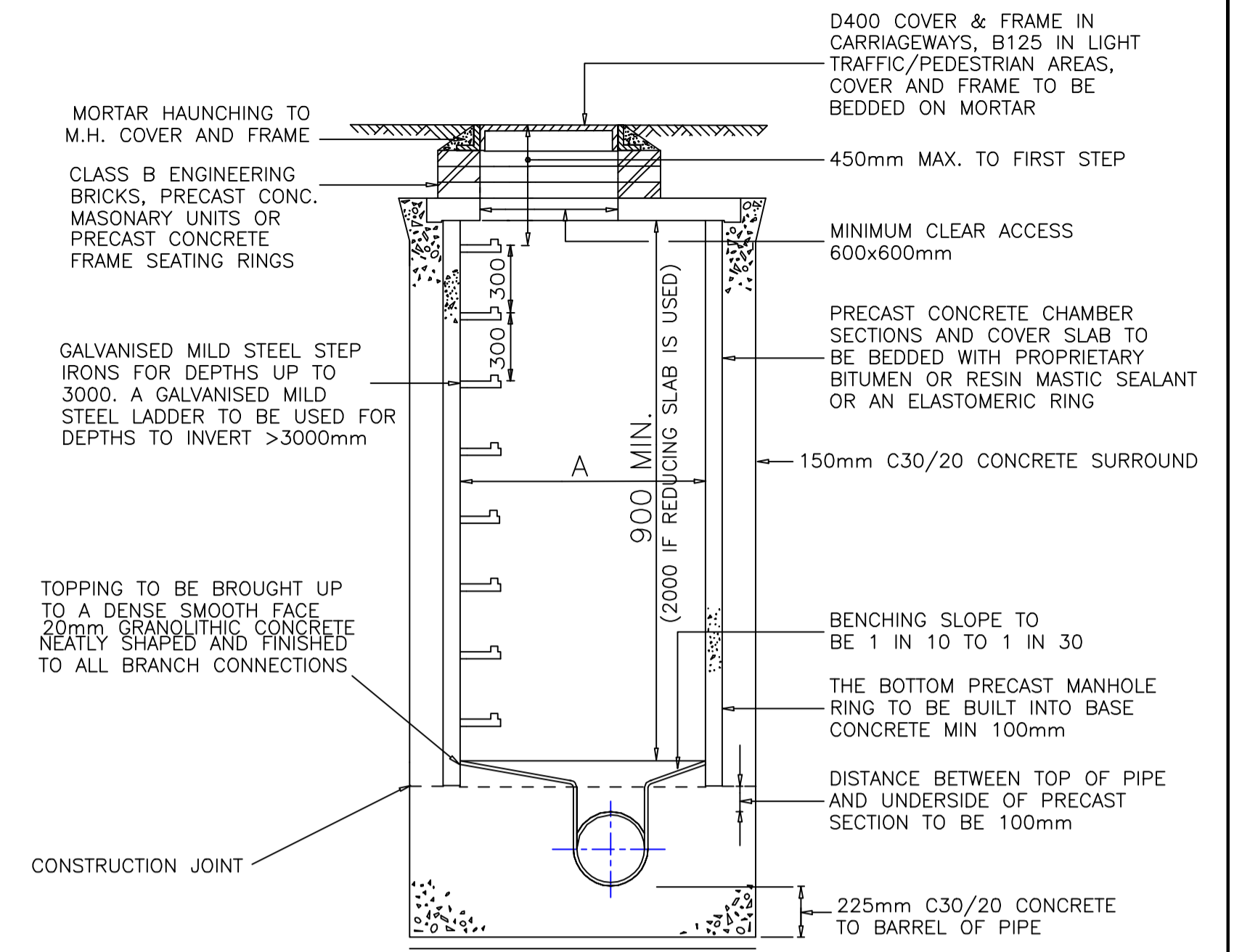


NOTE :
 WHERE THE BACKDROP IS NOT EXCESSIVE A 45 DEGREE DROP PIPE MAY BE USED

TYPICAL SECTION THROUGH ROAD GULLY 1:10



TYPICAL MANHOLE DETAIL



JOINT TO BE AS CLOSE AS POSSIBLE TO FACE OF MANHOLE TO PERMIT SATISFACTORY JOINT AND SUBSEQUENT MOVEMENT

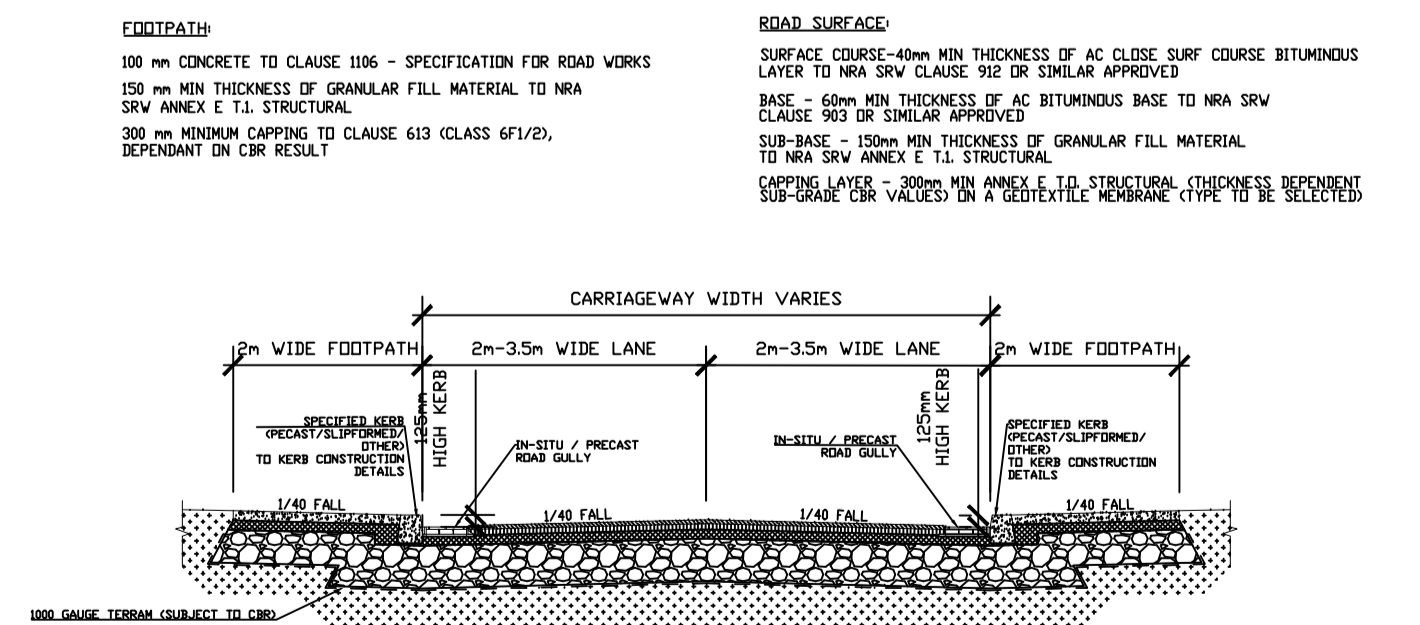
MINIMUM WIDTH OF BENCHING TO BE 500mm

NOTES :

- MANHOLES WITH OUTGOING PIPES GREATER THAN 600mm DIA. SHOULD BE FITTED WITH GUARD BARS, SAFETY CHAINS OR OTHER SAFETY DEVICES.
- ALL PRECAST CONCRETE RINGS TO BS5911 : PART 200.
- FOR DEPTHS TO INVERT >2.700m AN ACCESS SHAFT OF MIN. 900mm DIAMETER AND REDUCING SLAB MAY BE USED.
- WHERE THE DEPTH TO INVERT IS 1.00m OR LESS A 450mm x 450mm (OR 450mm DIA.) INSPECTION CHAMBER WITH MINIMUM COVER SIZES OF 450mm DIA. MAY BE USED SUBJECT TO ACCOMMODATION OF CONNECTIONS AND APPROVAL OF THE LOCAL AUTHORITY.

DIAMETER OF PIPE IN MANHOLE (LARGEST, mm)	MINIMUM INTERNAL DIAMETER OF MANHOLE (mm) 'A'
LESS THAN 375	1200 (1050 WHERE DEPTH TO SOFFIT IS 1.35-1.50m)
375 - 450	1350
450 - 750	1500
750 - 900	1800

TYPICAL CROSS-SECTION THROUGH ESTATE ROAD SCALE 1:80



A1

19-049 BDB Consulting 30 O'Connell Street, Limerick. (t) +353 61 468860 (e) info@bdb.ie

TITLE: STANDARD DETAILS
 CLIENT: REGAL PARK DEV. LTD. PROJECT: Annacotty
 DATE: 06-09-2019 DRAWN BY: DK CHECKED BY: POB
 SCALE: AS SHOWN 19-049-012